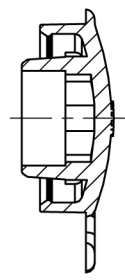
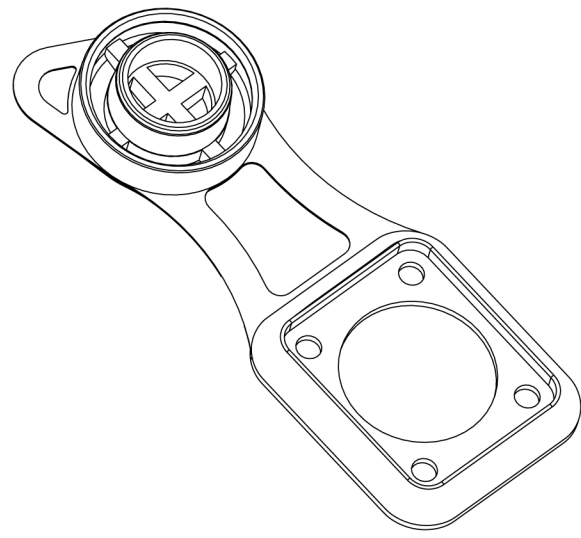
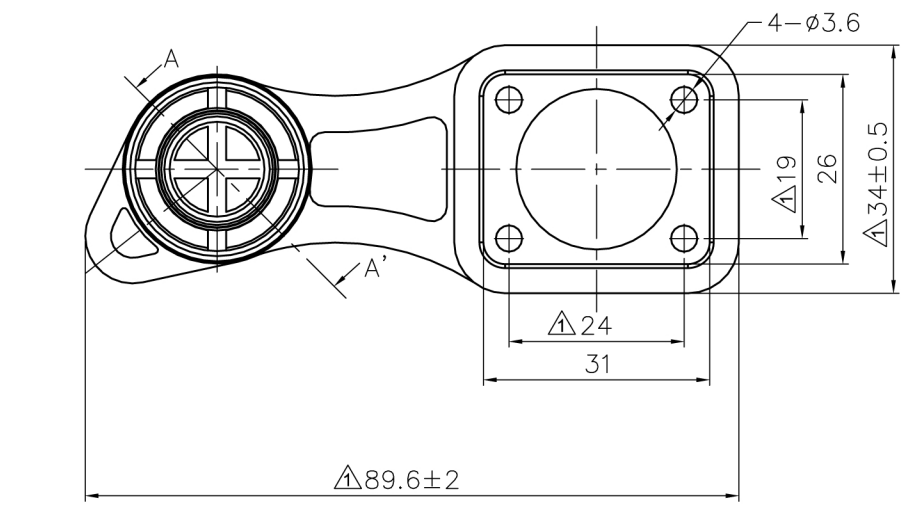
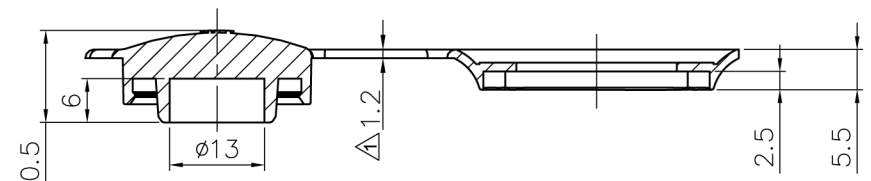
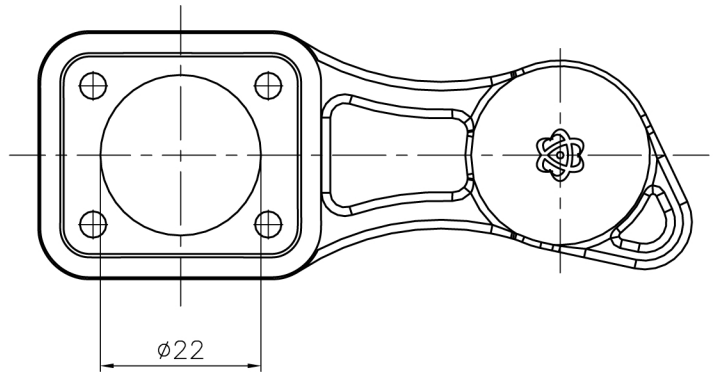


REVISIONS			
ISS	ZONE	DESCRIPTION\PER REQUEST\DATE	
A3	ALL	修改多处尺寸和公差 $\Delta$ , 删除非重要尺寸	
A2	A-7	修改品名、品號	
V	OPEN	對客戶公開圖紙	
	OPEN	對供應商公開圖紙	
	CLOSED	僅限廠內使用	



A-A' SECTION



Note(備註):  
1. This dustproof cover is available for D-type XLR male socket, speaker socket and power socket.

MATERIAL	TPR	APPROVED	DATE	2023-05-05	
		CHECKED	DATE	2023-05-05	
FINISH	BLACK(黑色)	DRAWN	马标	DATE	2023-05-05
		FILE NO.			
		ERP LINK:			



3rd ANGLE PROJECTION	SCALE	1/1	TOLERANCE	±0.3	
	UNITS	mm	ANGLES	±5°	
PART NO.	XL-CAP-M			REV.	A3